



Digital Dosing System Ensures Precise, Dynamic Response to Engine Load Variations

Long-term stable, high precision digital dosing of urea ensures high NOx-reduction without ammonia slip and optimized urea consumption. The digital dosing system has an ultra-high, dynamic response to engine load changes which enables NOx reduction for applications such as tug boats, drilling rigs etc.

Digital Urea Doser (DUD) is available with various capacities: 12, 60 and 375 l/h.



Specifications

- ✓ Capacity: 12 l/h (DUD 12); 60 l/h (DUD 60); 375 l/h (DUD 375)
- ✓ Ambient temperature: 0-45 °C
- ✓ Designed for dosing of water-based urea solution e.g. 32% or 40%
- ✓ Urea temperature: 0-50 °C
- ✓ Dynamic response 0 to max: < 350 msec
- ✓ Accuracy of repeatability: +/- 1%
- ✓ Supply voltage: 1*100-240 V 50/60 Hz
- ✓ Typical working pressure: 7-10 bar
- ✓ Enclosure class: IP65

DANSK TEKNOLOGI has developed and sells the Digital Airless Multipoint® SCR Systems for NOx reduction under the trademark BLUNOX®.

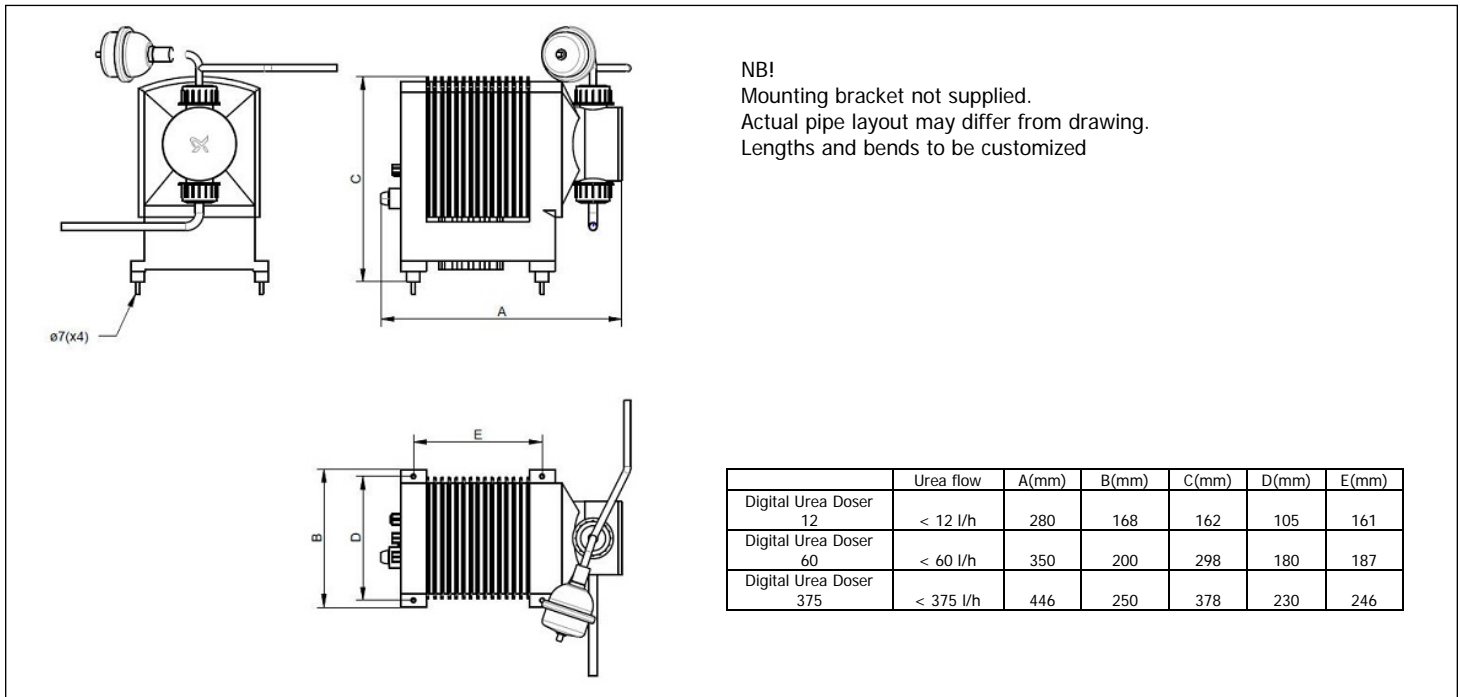
Compared to traditional SCR systems, our systems are based on patented next generation technology, which allow them to operate without the use of compressed air, and many unnecessary components, moving parts and electronics have been eliminated.

This gives a system, which is much more compact/low weight and reliable than traditional systems. For the same reasons our systems are also much easier and cheaper to install.

Substantial energy/fuel savings are achieved as a result of not using compressed air for the SCR process (typical saving of EUR 5,000 to 20,000 per year).

Subject to change without notice.

BLUNOX® and Digital Airless Multipoint® are registered trademarks of DANSK TEKNOLOGI



Outstanding Innovation and Delivery Track Record

Since 1982 DANSK TEKNOLOGI has worked as a product development contractor to many of the world's leading companies such as A.P. Møller-Maersk, Airbus, Grundfos and Novo Nordisk to name a few. More than 850 projects have been successfully completed. DANSK TEKNOLOGI is also highly experienced within manufacturing and assembly of industrial products.

Chosen by the Royal Danish Navy

The Digital Airless Multipoint[®] (DAM) SCR technology was originally developed by DANSK TEKNOLOGI for truck and bus applications and has been extensively tested in cooperation with leading engine manufacturers. The DAM SCR is now available for marine applications and has been chosen, field-tested and implemented by the Royal Danish Navy.

For further details contact:

Kristian T. Lund
Director, BLUNOX
T: +45 48 13 50 20
M: +45 20 99 66 33
E: KTL@dansk-teknologi.dk

DANSK TEKNOLOGI
T: +45 48 13 50 00
Østre Teglværksvej 24
DK-3450 Allerød
Denmark

Visit our websites:

www.dansk-teknologi.dk
www.blunox.com

