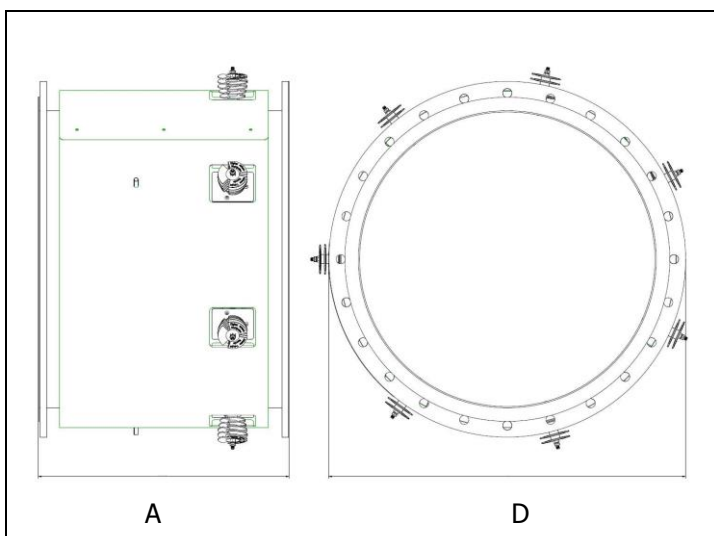


BLUNOX[®] Urea Nozzle Section with mounting flanges

Made in stainless steel. One fixed and one adjustable flange for easy connection directly between exhaust piping and Catalyst Housing.

Integrated interface to back pressure sensor.



Specifications

BLUNOX Urea Nozzle Section is available in different configurations (other sizes on request).

Model	No. of Nozzles installed	A [mm]	D [mm]
DN450	1 - 8	600	595
DN700	1 - 8	600	856

DANSK TEKNOLOGI has developed and sells the Digital Airless Multipoint[®] SCR Systems for NOx reduction under the trademark BLUNOX[®].

Compared to traditional SCR systems, our systems are based on patented next generation technology, which allow them to operate without the use of compressed air, and many unnecessary components, moving parts and electronics have been eliminated.

This gives a system, which is much more compact/low weight and reliable than traditional systems. For the same reasons our systems are also much easier and cheaper to install.

Substantial energy/fuel savings are achieved as a result of not using compressed air for the SCR process (typical saving of EUR 5,000 to 20,000 per year).

Subject to change without notice.

BLUNOX[®] and Digital Airless Multipoint[®] are registered trademarks of DANSK TEKNOLOGI

Outstanding Innovation and Delivery Track Record

Since 1982 DANSK TEKNOLOGI has worked as a product development contractor to many of the world's leading companies such as A.P. Møller-Maersk, Airbus, Grundfos and Novo Nordisk to name a few. More than 850 projects have been successfully completed. DANSK TEKNOLOGI is also highly experienced within manufacturing and assembly of industrial products.

Chosen by the Royal Danish Navy

The Digital Airless Multipoint® (DAM) SCR technology was originally developed by DANSK TEKNOLOGI for truck and bus applications and has been extensively tested in cooperation with leading engine manufacturers. The DAM SCR is now available for marine applications and has been chosen, field-tested and implemented by the Royal Danish Navy.

For further details contact:

Kristian T. Lund

Director, BLUNOX

T: +45 48 13 50 20

M: +45 20 99 66 33

E: KTL@dansk-teknologi.dk

DANSK TEKNOLOGI

T: +45 48 13 50 00

Østre Teglværksvej 24

DK-3450 Allerød

Denmark

Visit our websites:

www.dansk-teknologi.dk

www.blunox.com

